



HTL Options & Attachments Guide

February 2020

haulotte.com

Haulotte 
EQUIPMENT



Close to you, worldwide.

Haulotte, the people and material
lifting equipment specialist

- Our latest HTL telehandlers range offers a selection of models designed specifically to provide you the very highest levels of **productivity & performance**.
- Internationally recognized, HTL telehandlers offer a wide range of **solutions** based on reliability and robustness for both **construction** and **industry** applications. Our extensive network allows us to respond rapidly and efficiently to all your service requirement & spare parts needs, so your productivity can be guaranteed and your success as well.
- HTL homologated **attachment** range give you the solution that improves working **output, safety, and operator comfort**.
- To be validated, every **attachment** has to succeed very strict tests by our **R&D department** including: stability test - load chart, risk & stress analysis, meet with your applications' expectations!
- From on-fork handling solutions range and bucket range to grab and jib/winch ranges, HTL range will meet all your professionals' most demanding requirements.



Options

HTL OPTIONS – SUMMARY

✓ [PRE-CONFIGURATION](#)



✓ [HEAD OF THE BOOM](#)



✓ [TIRES](#)



✓ [VISIBILITY](#)



✓ [CABIN](#)



✓ [ENGINE](#)



✓ [MISCELLANEOUS](#)





1

PRE- CONFIGURATION

Extending & slewing platform pre-configuration (CE)

Command kit winch

Hydraulic kit preconfiguration

PRE-CONFIGURATION

Extending & Slewing platform pre-configuration (CE)



- CE platform pre-configuration is **mandatory** to use the CE platform. For platform extending & slewing platform (50186)

MODIFICATIONS

- Hydraulic : Hydraulic Kit, new hydraulic manifold,
- Electric : Spring cable reel, emergency pump,
- Cab : Dead man joystick.

DASHBOARD ADDITIONAL BUTTON

- Attachment mode selector, the key is plug
- Platform or Cab control,
- Overload indicator,
- Overriding → shunt the weighing & platform emergency button,
- Emergency pump.

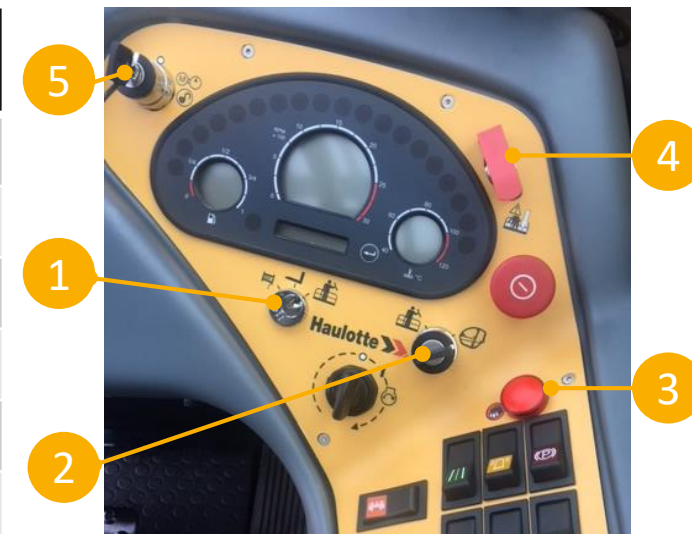
Compliant with homologation :

- CE / EN280: 2015
- EAC GOST R53037
- TRUA



Only available for Tier IV Final and Stage V engine

Available	
HTL 3207	X
HTL 3210	X
HTL 3510	X
HTL 4010	X
HTL 3614	X
HTL 3617	X
HTL 4014	✓
HTL 4017	✓
HTL 5210	X



Dashboard modification



Deadman joystick into the cab

REF. 50170

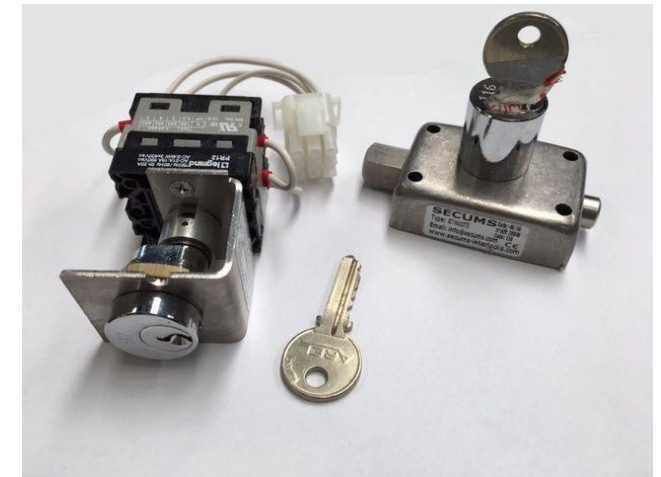
PRE-CONFIGURATION Command Kit Winch



SPECIFICATIONS

- A security key to open the attachment and plug on the dashboard,
- In Winch mode use to prevent any combined movement,
- Second key in case of loss.
- Command kit winch pre-configuration is **mandatory** to use a winch

Available	
HTL 3207	✓
HTL 3210	✓
HTL 3510	✓
HTL 4010	✓
HTL 3614	✓
HTL 3617	✓
HTL 4014	✓
HTL 4017	✓
HTL 5210	✓



REF. 52022/50022

PRE-CONFIGURATION

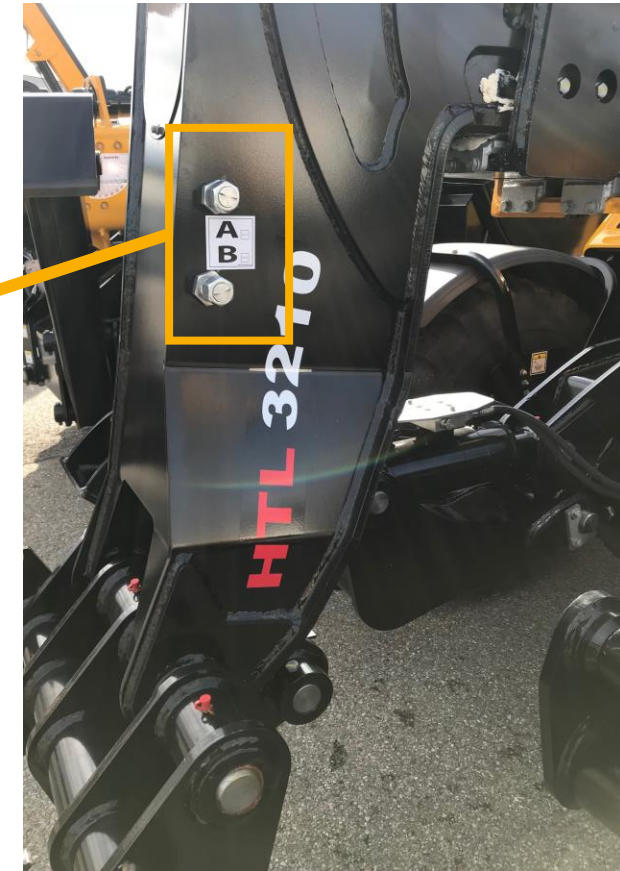
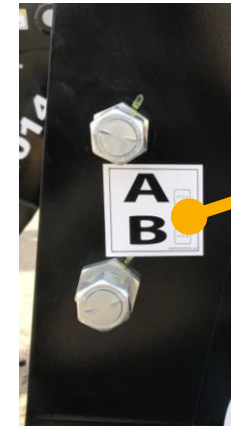
Hydraulic kit preconfiguration



SPECIFICATIONS

- For the 4th function of the Joystick
- The plug A & B at the head of the boom
- Examples : grab bucket, forks positioner...

Available	
HTL 3207	✓
HTL 3210	Standard
HTL 3510	Standard
HTL 4010	Standard
HTL 3614	Standard
HTL 3617	Standard
HTL 4014	Standard
HTL 4017	Standard
HTL 5210	Standard



REF. 52092



2

HEAD OF THE BOOM

Hydraulic kit for accessory

Hydraulic kit Manitou® type

Hook 3T under tool carriage

Haulotte tool carriage for hooks 3T

Manitou® type tool carriage for hooks 3T

Manitou® type tool carriage

Volvo® type tool carriage

12V electrical roller supply

Quick attachment coupling

HEAD OF THE BOOM

Hydraulic Kit For Accessory



SPECIFICATIONS

- Hydraulic supply on top of the boom with hoses connection,
- **Mandatory** to use Hydraulic attachment (ex: side shift forks, grab bucket, winch...).
- For the **HTL3207**, you have to select the pre-configuration (52192)

Available	
HTL 3207	✓
HTL 3210	✓
HTL 3510	✓
HTL 4010	✓
HTL 3614	✓
HTL 3617	✓
HTL 4014	✓
HTL 4017	✓
HTL 5210	✓



REF. 52021/50021

HEAD OF THE BOOM

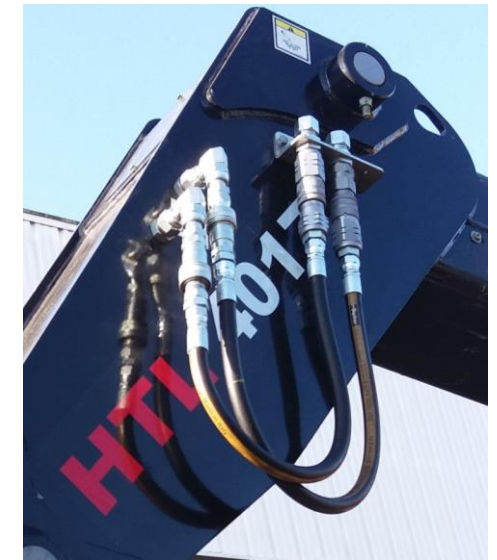
Hydraulic Kit Manitou® type



SPECIFICATIONS

- Compatible with Manitou® hydraulic attachment and Haulotte® hydraulic attachment
- Hydraulic supply on top of the boom with hoses connection:
 - ➔ 1/2" BSP MALE AND FEMALE.

Available	
HTL 3207	✓
HTL 3210	✓
HTL 3510	✓
HTL 4010	✓
HTL 3614	✓
HTL 3617	✓
HTL 4014	✓
HTL 4017	✓
HTL 5210	✓



"MANITOU® is a trademark of MANITOU BF, the use of this mark is solely for the purpose of information on the compatibility of our products."

REF. 52108/50108

HEAD OF THE BOOM

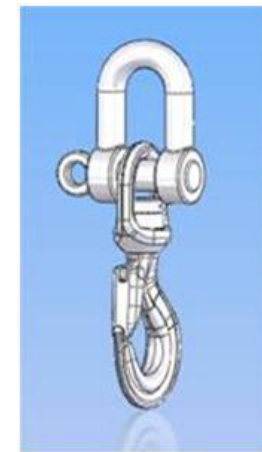
Hook 3T under tool carriage



SPECIFICATIONS

- Use with specific Tool carriage for hooks 3T,
- Tool carriage for hooks 3T **MANDATORY** :
 - Haulotte® (REF. 52029/50029),
 - or Manitou® (REF. 52030/50030).
- Avoid to change attachment

Available	
HTL 3207	✓
HTL 3210	✓
HTL 3510	✓
HTL 4010	✓
HTL 3614	✓
HTL 3617	✓
HTL 4014	✓
HTL 4017	✓
HTL 5210	✓



REF. 52150/50150

HEAD OF THE BOOM

Haulotte Tool Carriage for hooks 3T



SPECIFICATIONS

- Width : 874mm with attachment locking axe,
- Also available with locking single axe,
- **Mandatory** if hook 3T selected.

Available	
HTL 3207	✓
HTL 3210	✓
HTL 3510	✓
HTL 4010	✓
HTL 3614	✓
HTL 3617	✓
HTL 4014	✓
HTL 4017	✓
HTL 5210	✓



REF. 52029/50029

HEAD OF THE BOOM

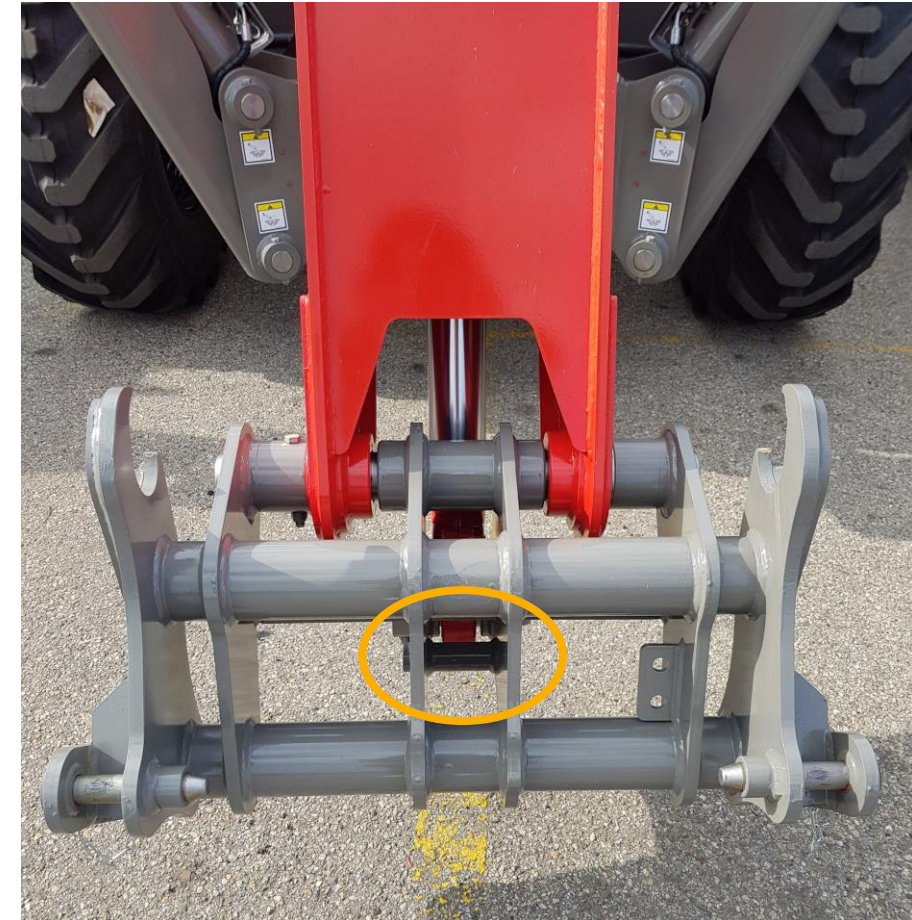
Manitou® type Tool Carriage for hooks 3T



SPECIFICATIONS

- Width : 905mm with attachment locking axle,
- Also available with locking single axle,
- This accessory is designed to be compatible with MT Type Attachment and Manitou® attachments,
- Haulotte attachments can't be used with this accessory,
- **Mandatory** if hook 3T selected.

Available	
HTL 3207	✓
HTL 3210	✓
HTL 3510	✓
HTL 4010	✓
HTL 3614	✓
HTL 3617	✓
HTL 4014	✓
HTL 4017	✓
HTL 5210	✓



"MANITOU® is a trademark of MANITOU BF, the use of this mark is solely for the purpose of information on the compatibility of our products."

REF. 52030/50030

HEAD OF THE BOOM MANITOU® type tool carriage



SPECIFICATIONS

- This accessory is designed to be compatible with Manitou® attachments,
- Haulotte attachments can't be used with this accessory,
- This tool carriage isn't compatible with the hook 3T.

Available	
HTL 3207	✓
HTL 3210	✓
HTL 3510	✓
HTL 4010	✓
HTL 3614	✓
HTL 3617	✓
HTL 4014	✓
HTL 4017	✓
HTL 5210	✓



"MANITOU® is a trademark of MANITOU BF, the use of this mark is solely for the purpose of information on the compatibility of our products."

REF. 52105/50105

HEAD OF THE BOOM

Volvo® type tool carriage



SPECIFICATIONS

- Width : 1100mm with attachment locking
- This accessory is designed to be compatible with Volvo® attachments,
- Haulotte attachments can't be used with this accessory.

Available	
HTL 3207	X
HTL 3210	X
HTL 3510	X
HTL 4010	X
HTL 3614	X
HTL 3617	X
HTL 4014	✓
HTL 4017	✓
HTL 5210	✓



"The use of this mark is solely for the purpose of information on the compatibility of our products."

REF. 50192

HEAD OF THE BOOM

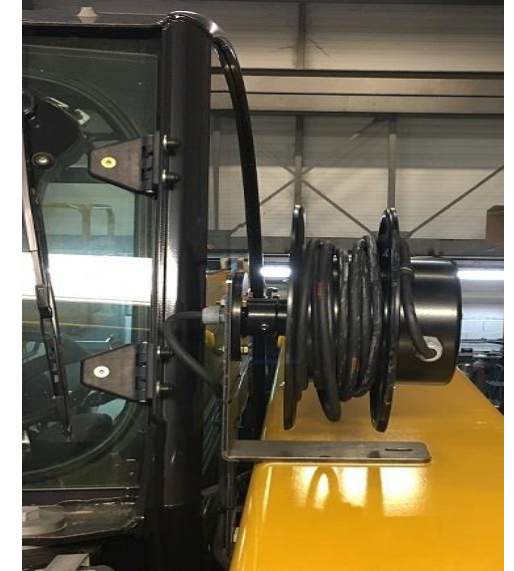
12V electrical roller supply



SPECIFICATIONS

- Electrical supply at the head of the boom,
- Enables to steer additional function from the cab.

Available	
HTL 3207	✓
HTL 3210	✓
HTL 3510	✓
HTL 4010	✓
HTL 3614	X
HTL 3617	X
HTL 4014	✓
HTL 4017	✓
HTL 5210	✓



Not available with platform option

REF. 52178 / 50178

HEAD OF THE BOOM

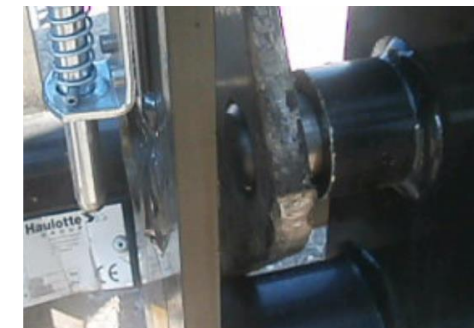
Quick attachment coupling



SPECIFICATIONS

- Operated from the cabin (with the joystick)
- Avoid getting off the cab to remove the axes
- Benefic to use with accessories don't need hydraulic
- Not available with platform option

Available	
HTL 3207	X
HTL 3210	X
HTL 3510	X
HTL 4010	X
HTL 3614	X
HTL 3617	X
HTL 4014	✓
HTL 4017	✓
HTL 5210	X



REF. 50188



3

TIRES

- 4 MICHELIN tires
- 4 CAMSO tires
- 4 CAMSO no-marking tires
- 4 ADVANCE wheels
- 4 MITAS wheels
- 2 Spare wheels (left & right)
- Summary
- 4 Solid cured-on tires
- 4 GALAXY wheels (Turf)
- 2 wheels Wedges
- Tire punctures sealant

TIRES

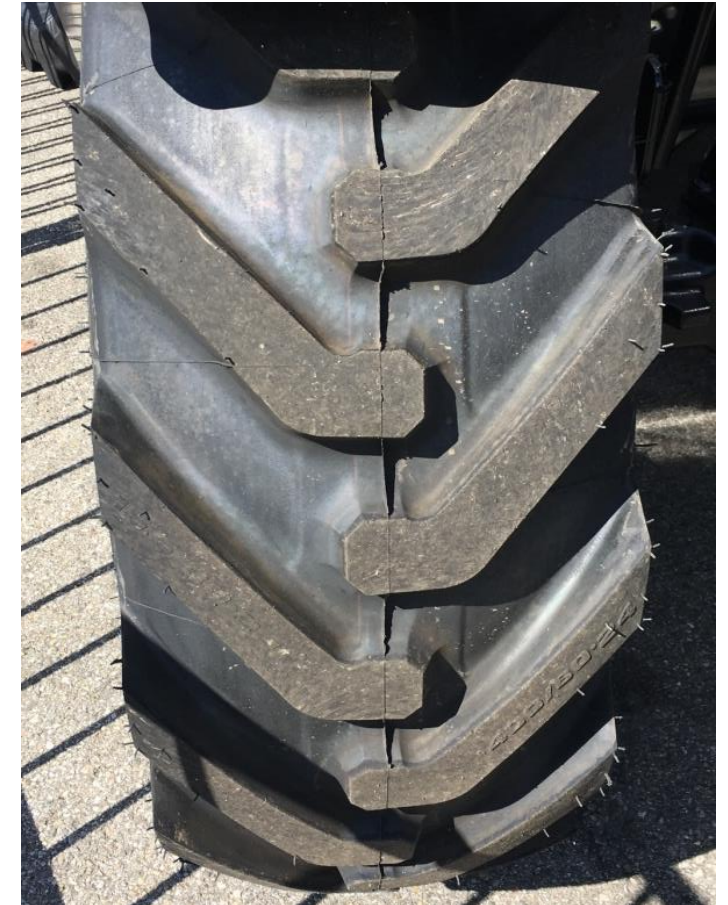
4 MICHELIN Tires 400/80 24 - Semi-Industrial



PROFILE

- Semi-industrial
- 400 / 80 24

Available	
HTL 3207	✓
HTL 3210	✓
HTL 3510	✓
HTL 4010	✓
HTL 3614	✓
HTL 3617	✓
HTL 4014	✓
HTL 4017	✓
HTL 5210	✓



REF. 52001/50001

TIRES

4 CAMSO Tires 400/80 24 - Semi-Industrial



PROFILE

- Semi-industrial
- 400 / 80 24

Available	
HTL 3207	✓
HTL 3210	✓
HTL 3510	✓
HTL 4010	✓
HTL 3614	X
HTL 3617	X
HTL 4014	Standard
HTL 4017	Standard
HTL 5210	Standard



REF. 52008/50008

TIRES

4 CAMSO No Marking Tires 400/80 24 - Semi-Industrial



PROFILE

- Semi-industrial
- 400 / 80 24

Available	
HTL 3207	X
HTL 3210	X
HTL 3510	✓
HTL 4010	X
HTL 3614	X
HTL 3617	X
HTL 4014	✓
HTL 4017	✓
HTL 5210	X



REF. 52002/50002

TIRES

4 ADVANCE Wheels 405/70 24 - Industrial



PROFILE

- Industrial
- 405 / 70 24

Available	
HTL 3207	✓
HTL 3210	✓
HTL 3510	Standard
HTL 4010	Standard
HTL 3614	Standard
HTL 3617	Standard
HTL 4014	X
HTL 4017	X
HTL 5210	X



REF. 52007

TIRES

4 MITAS Wheels 445/65 22,5 - Industrial



PROFILE

- Industrial: for application in sensitive ground
- 41x18LL - 22,5

SPECIFICATIONS

- About - 8% on the grounds clearance
 - About + 8% on traction effort
 - About - 8% on the maxi speed
- Compare to the 400/80 24 - Semi-industrial – CAMSO
- With this tires, containerization isn't possible
 - No road homologation for Germany, Italy & Spain

Available	
HTL 3207	X
HTL 3210	X
HTL 3510	X
HTL 4010	X
HTL 3614	✓
HTL 3617	✓
HTL 4014	✓
HTL 4017	✓
HTL 5210	✓



REF. 50053

TIRES

Galaxy (Turf) 4 Wheels – Specific application



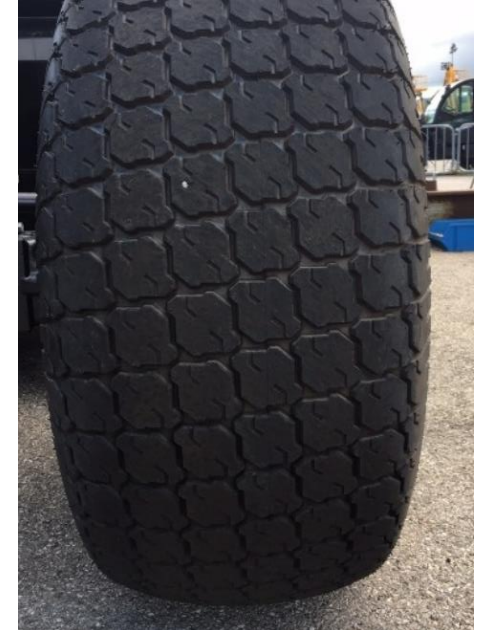
SPECIFIC TIRES

- Application Turf : application in very sensitive ground: for Turf, Golf ...
- 41x18LL - 22,5.

SPECIFICATIONS

- About - 8% on the ground clearance,
- About + 8% on traction effort,
- About - 8% on the maxi speed.
 - Compare to the 400/80 24 - Semi-industrial - CAMSO
- With this option, containerization isn't possible,
- No road homologation for Germany, Italy & Spain.

Available	
HTL 3207	X
HTL 3210	X
HTL 3510	X
HTL 4010	X
HTL 3614	✓
HTL 3617	✓
HTL 4014	✓
HTL 4017	X
HTL 5210	X



REF. 50054

TIRES

2 Spare Wheels (Left & Right)



	ADVANCE - 405/70 20 <i>Industrial</i>	ADVANCE - 405/70 24 <i>Industrial</i>	CAMSO - 400/80 24 <i>Semi-Industrial</i>	MICHELIN - 400/80 24 <i>Semi-Industrial</i>	MICHELIN - 400/80 24 <i>Semi-Industrial</i> <u>If option containerization</u>
HTL 3207	✓	✓	✓	✓	X
HTL 3210	✓	✓	✓	✓	X
HTL 3510	X	✓	✓	✓	X
HTL 4010	X	✓	✓	✓	X
HTL 3614	X	✓	X	✓	X
HTL 3617	X	✓	X	✓	X
HTL 4014	X	X	✓	✓	✓
HTL 4017	X	X	✓	✓	✓
HTL 5210	X	X	✓	✓	✓
REF.	52006	52005/50004	52004/50003	52187/50187	50189

Option Containerization

TIRES Summary



		MICHELIN 400/80 24 <i>Semi-Industrial</i>	ADVANCE - 405/70 20 <i>Industrial</i>	ADVANCE - 405/70 24 <i>Industrial</i>	CAMSO 400/80 24 <i>Semi-Industrial</i>	MITAS 445/65 22,5 <i>Industrial</i>
HTL 3207	4 wheels	Option	Standard	Option	Option	N/A
	2 spare wheels	Option	Option	Option	Option	N/A
HTL 3210	4 wheels	Option	Standard	Option	Option	N/A
	2 spare wheels	Option	Option	Option	Option	N/A
HTL 3510	4 wheels	Option	N/A	Standard	Option	N/A
	2 spare wheels	Option	N/A	Option	Option	N/A
HTL 4010	4 wheels	Option	N/A	Standard	Option	N/A
	2 spare wheels	Option	N/A	Option	Option	N/A
HTL 3614	4 wheels	Option	N/A	Standard	N/A	Option
	2 spare wheels	Option	N/A	Option	N/A	N/A
HTL 3617	4 wheels	Option	N/A	Standard	N/A	Option
	2 spare wheels	Option	N/A	Option	N/A	N/A
HTL 4014	4 wheels	Option	N/A	N/A	Standard	Option
	2 spare wheels	Option	N/A	N/A	Option	N/A
HTL 4017	4 wheels	Option	N/A	N/A	Standard	Option
	2 spare wheels	Option	N/A	N/A	Option	N/A
HTL 5210	4 wheels	Option	N/A	N/A	Standard	Option
	2 spare wheels	Option	N/A	N/A	Option	N/A

N/A : not applicable

TIRES

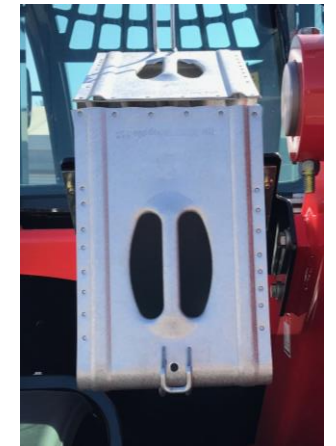
2 Wheel Wedges



SPECIFICATIONS

- Wheel wedges supplied with storage hoop fixed on the machine.
- Necessary to secure effectively the machine and guarantee the security.

Available	
HTL 3207	✓
HTL 3210	✓
HTL 3510	✓
HTL 4010	✓
HTL 3614	✓
HTL 3617	✓
HTL 4014	✓
HTL 4017	✓
HTL 5210	✓



REF. 52009/50009

TIRES

Tire puncture sealant



SPECIFICATIONS

- An aqueous solution specially designed to prevent punctures on industrial tires:
 - Liquid product injected in the 4 tires (5l / tire),
 - Injected in the factory.
- It repairs instantly and permanently
- The treatment is efficient for the life span of the tire.
- It repairs repeated punctures on the tread area caused by perforating objects:
 - Seal an hole until 2cm.

Available	
HTL 3207	✓
HTL 3210	✓
HTL 3510	✓
HTL 4010	✓
HTL 3614	✓
HTL 3617	✓
HTL 4014	✓
HTL 4017	✓
HTL 5210	✓



REF. 52155/50155



4

VISIBILITY

- 4 working lights on cab
- LED working lights on the boom
- Rear LED lights
- Rear Camera
- Rear sensor detector
- Kit visibility
- Lateral reflectors
- Foldable rear lights
- Fixed beacon
- Warning triangle
- Reflexive safety jacket
- Wild field mirror 45°

VISIBILITY

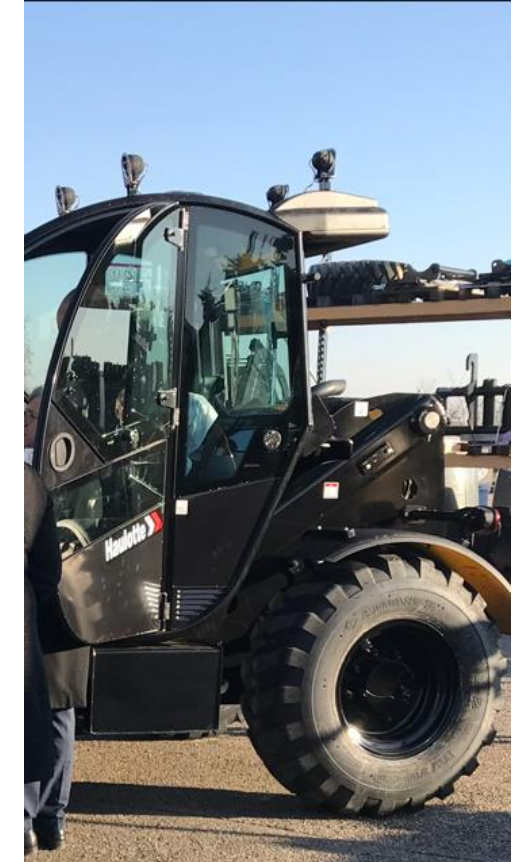
4 Working Lights On Cab – LED version



SPECIFICATIONS

- Four high-intensity discharge work lights on the cab roof provide plenty of illumination to keep working during the night or in dark conditions.
- 2 front lights and 2 rear lights with *ON/OFF* switch on the cab.
- LED version – improve visibility

Available	
HTL 3207	✓
HTL 3210	✓
HTL 3510	✓
HTL 4010	✓
HTL 3614	✓
HTL 3617	✓
HTL 4014	✓
HTL 4017	✓
HTL 5210	✓



REF. 50201 / 55201

VISIBILITY

LED Working Lights on the boom



SPECIFICATIONS

- Add 2 LED lights on the boom

Available	
HTL 3207	✓
HTL 3210	✓
HTL 3510	✓
HTL 4010	✓
HTL 3614	✓
HTL 3617	✓
HTL 4014	✓
HTL 4017	✓
HTL 5210	✓



REF. 52139/50139

VISIBILITY

Rear LED Lights



SPECIFICATIONS

- One LED lights at the back

Available	
HTL 3207	✓
HTL 3210	✓
HTL 3510	✓
HTL 4010	✓
HTL 3614	✓
HTL 3617	✓
HTL 4014	✓
HTL 4017	✓
HTL 5210	✓



REF. 52140/50140

VISIBILITY Rear Camera



SPECIFICATIONS

- On the counterweight,
- Better approach & less damage,
- To help operators checking what is going on behind the machine.

Available	
HTL 3207	✓
HTL 3210	✓
HTL 3510	✓
HTL 4010	✓
HTL 3614	✓
HTL 3617	✓
HTL 4014	✓
HTL 4017	✓
HTL 5210	✓



REF. 52141/50141

VISIBILITY

Rear sensor detector



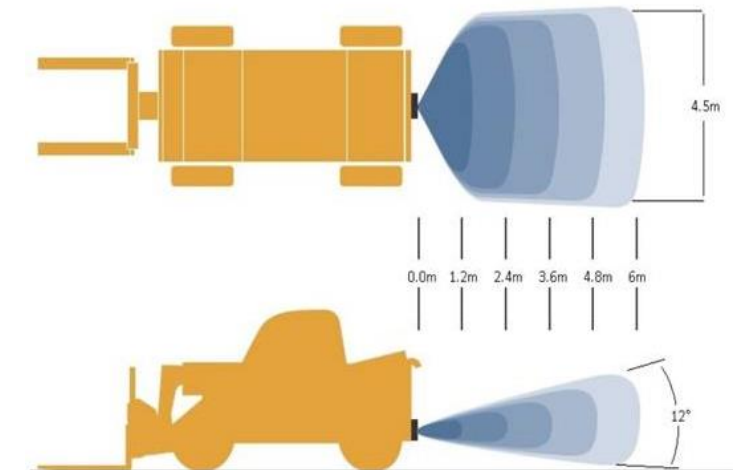
SPECIFICATIONS

- To help operators checking what is going on behind the machine,
- Improving security,

DETECTION ZONE

- Length: 6m/19ft
- Width: 4.5m/13 ft

Available	
HTL 3207	✓
HTL 3210	✓
HTL 3510	✓
HTL 4010	✓
HTL 3614	✓
HTL 3617	✓
HTL 4014	✓
HTL 4017	✓
HTL 5210	✓



REF. 52158/50158

VISIBILITY Kit Visibility



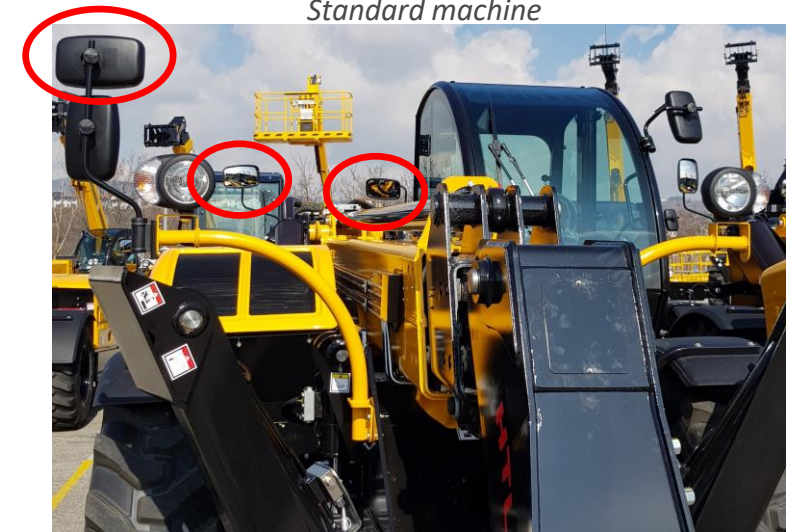
SPECIFICATIONS

- Additional mirror for machines,
- Standard in Europe.

Available	
HTL 3207	✓
HTL 3210	✓
HTL 3510	✓
HTL 4010	✓
HTL 3614	✓
HTL 3617	✓
HTL 4014	✓
HTL 4017	✓
HTL 5210	✓



Standard machine



Kit visibility

REF. 52045/50045

VISIBILITY

Lateral reflectors



SPECIFICATIONS

- 2 at the bottom of the cab,
- 1 in the front rear-view mirror,
- 2 on the engine support,
- 1 in each side of the reinforcement chassis.

Available	
HTL 3207	✓
HTL 3210	✓
HTL 3510	✓
HTL 4010	✓
HTL 3614	✓
HTL 3617	✓
HTL 4014	✓
HTL 4017	✓
HTL 5210	✓



REF. 52031/50031

VISIBILITY Foldable Rear Lights



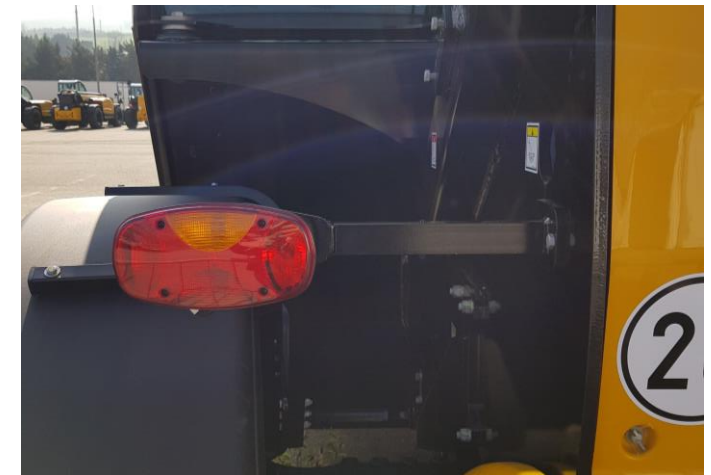
SPECIFICATIONS

- To avoid breaking the lights during transportation and on working environment .

Available	
HTL 3207	✓
HTL 3210	✓
HTL 3510	Standard
HTL 4010	Standard
HTL 3614	Standard
HTL 3617	Standard
HTL 4014	Standard
HTL 4017	Standard
HTL 5210	Standard



Foldable rear lights



Fix rear lights

REF. 52018

VISIBILITY

Fixed beacon – LED version



SPECIFICATIONS

- Beacon in standard into the cab.
- LED version – improve visibility

Available	
HTL 3207	✓
HTL 3210	✓
HTL 3510	✓
HTL 4010	✓
HTL 3614	✓
HTL 3617	✓
HTL 4014	✓
HTL 4017	✓
HTL 5210	✓



REF. 52130/50130

VISIBILITY Warning Triangle



SPECIFICATIONS

- Depending on local on-road traffic regulation, it might be necessary to carry out a warning triangle in the vehicle at all times.

Available	
HTL 3207	✓
HTL 3210	✓
HTL 3510	✓
HTL 4010	✓
HTL 3614	✓
HTL 3617	✓
HTL 4014	✓
HTL 4017	✓
HTL 5210	✓



REF. 52010/50010

VISIBILITY Reflective Safety Jacket



SPECIFICATIONS

- Depending on local on-road traffic regulation, it might be necessary to carry out a Reflective Safety Jacket in the vehicle at all times.

Available	
HTL 3207	✓
HTL 3210	✓
HTL 3510	✓
HTL 4010	✓
HTL 3614	✓
HTL 3617	✓
HTL 4014	✓
HTL 4017	✓
HTL 5210	✓



REF. 52011/50011

VISIBILITY

Wild field mirror 45°



SPECIFICATIONS

- A wild mirror to help you to see outdoor and avoid look out the cab.
- Road homologation.

Available	
HTL 3207	✓
HTL 3210	✓
HTL 3510	✓
HTL 4010	✓
HTL 3614	✓
HTL 3617	✓
HTL 4014	✓
HTL 4017	✓
HTL 5210	✓

REF. 50208 /52208



5

CAB

- Metal windscreen protection
- Deadman joystick
- Fire extinguisher inside the cab
- Air conditioning
- Engine immobilizer
- Break glass hammer
- Speed stickers
- UV protection film
- Sun visor
- Cab filter

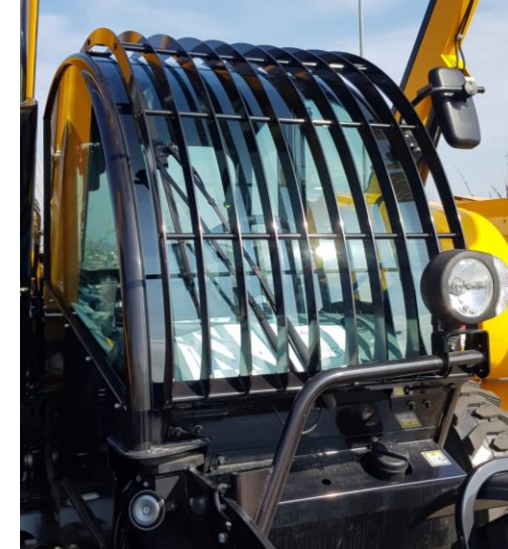
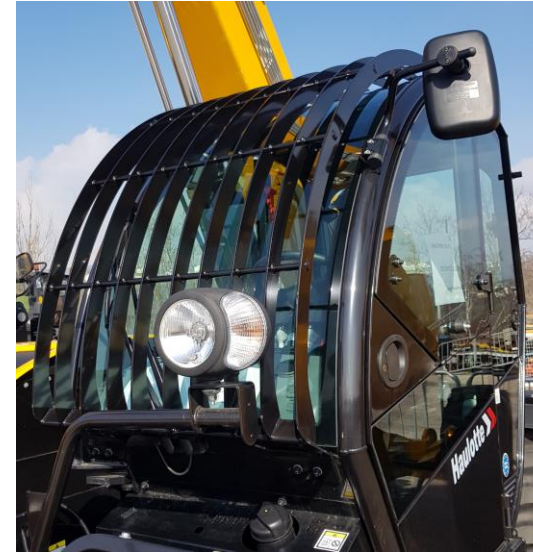
CAB Metal Windscreen Protection



SPECIFICATIONS

- The metal windscreen protection gives a reliable protection against falling objects.
- Compliant with FOPS regulation.

Available	
HTL 3207	✓
HTL 3210	✓
HTL 3510	✓
HTL 4010	✓
HTL 3614	✓
HTL 3617	✓
HTL 4014	✓
HTL 4017	✓
HTL 5210	✓



REF. 52016/50016

CAB

Deadman joystick

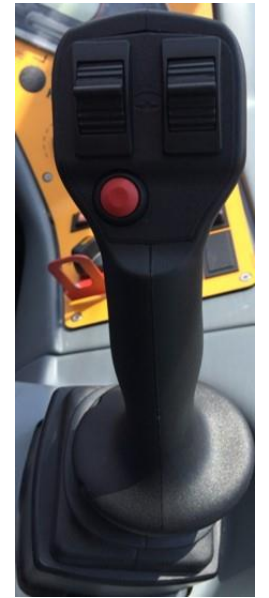


SPECIFICATIONS

- Avoid involuntary movement with the joystick.
- Red button to activate a movement

Available	
HTL 3207	✓
HTL 3210	✓
HTL 3510	✓
HTL 4010	✓
HTL 3614	✓
HTL 3617	✓
HTL 4014	✓
HTL 4017	✓
HTL 5210	✓

REF. 52167/50167



CAB

Fire Extinguisher inside the cab



SPECIFICATIONS

- Powder ABC 1 KG

Available	
HTL 3207	✓
HTL 3210	✓
HTL 3510	✓
HTL 4010	✓
HTL 3614	✓
HTL 3617	✓
HTL 4014	✓
HTL 4017	✓
HTL 5210	✓



REF. 52142/50142

CAB Air Conditioning



SPECIFICATIONS

- **TIER 3** → PERKINS
- **TIER 4F / STAGE V** → KOHLER
- 3 positions manual air conditioning.
- In order to work in comfort.

Available	
HTL 3207	✓
HTL 3210	✓
HTL 3510	✓
HTL 4010	✓
HTL 3614	✓
HTL 3617	✓
HTL 4014	✓
HTL 4017	✓
HTL 5210	✓



Be careful: one PERKINS version and one KOHLER version

PERKINS	REF. 52019/50019
KOHLER	REF. 52020/50020

CAB Engine Immobilizer



SPECIFICATIONS

- Digicode with magnetic key or code.

Available	
HTL 3207	✓
HTL 3210	✓
HTL 3510	✓
HTL 4010	✓
HTL 3614	✓
HTL 3617	✓
HTL 4014	✓
HTL 4017	✓
HTL 5210	✓



CODE

REF. 52034/50034

CAB Break Glass Hammer



SPECIFICATIONS

- Depending on local safety regulation, it might be necessary to carry out a break glass hammer in the vehicle at all times.

Available	
HTL 3207	✓
HTL 3210	✓
HTL 3510	✓
HTL 4010	✓
HTL 3614	✓
HTL 3617	✓
HTL 4014	✓
HTL 4017	✓
HTL 5210	✓



REF. 52012/50012

CAB Maximum Speed Limitation



SPECIFICATIONS

- Local traffic regulations may require a **specific** maximum speed.

Available	
HTL 3207	✓
HTL 3210	✓
HTL 3510	✓
HTL 4010	✓
HTL 3614	✓
HTL 3617	✓
HTL 4014	✓
HTL 4017	✓
HTL 5210	✓

	Standard max speed	
HTL 4014	30 Km/h	25 Km/h
HTL 4017	30 Km/h	25 Km/h

Indicate in the order form the required maximum speed



Only available for Tier III engine



accident fond blanc
type autoroute 80 mètres
supérieur suivant des
feuilles conformes au C23C-02/210

REF. 52013/50013

CAB Speed Stickers



SPECIFICATIONS

- Local traffic regulations may require a maximum speed.

Available	
HTL 3207	✓
HTL 3210	✓
HTL 3510	✓
HTL 4010	✓
HTL 3614	✓
HTL 3617	✓
HTL 4014	✓
HTL 4017	✓
HTL 5210	✓



REF. 52015/50015

SPECIFICATIONS

- Local traffic regulations may require a **specific** maximum speed

Available		
	25 kph	20kph
HTL 3207	Standard	✓
HTL 3210	Standard	✓
HTL 3510	Standard	✓
HTL 4010	Standard	✓
HTL 3614	Standard	✓
HTL 3617	Standard	✓
HTL 4014	Standard	✓
HTL 4017	Standard	✓
HTL 5210	Standard	✓



REF. 52014/50014

CAB UV protection film



SPECIFICATIONS

- Reduce the temperature in the cab, up to 6°C / 10°F.
- Keep a good condition on very hot environment.

2 DIFFERENTS PROTECTIONS

- *Mirror film (at the top of the cab)*
- *Transparent film (in all the other window)*

Available	
HTL 3207	✓
HTL 3210	✓
HTL 3510	✓
HTL 4010	✓
HTL 3614	✓
HTL 3617	✓
HTL 4014	✓
HTL 4017	✓
HTL 5210	✓



Cab standard



Cab with solar protection

REF. 52191/50191

CAB Sun visor

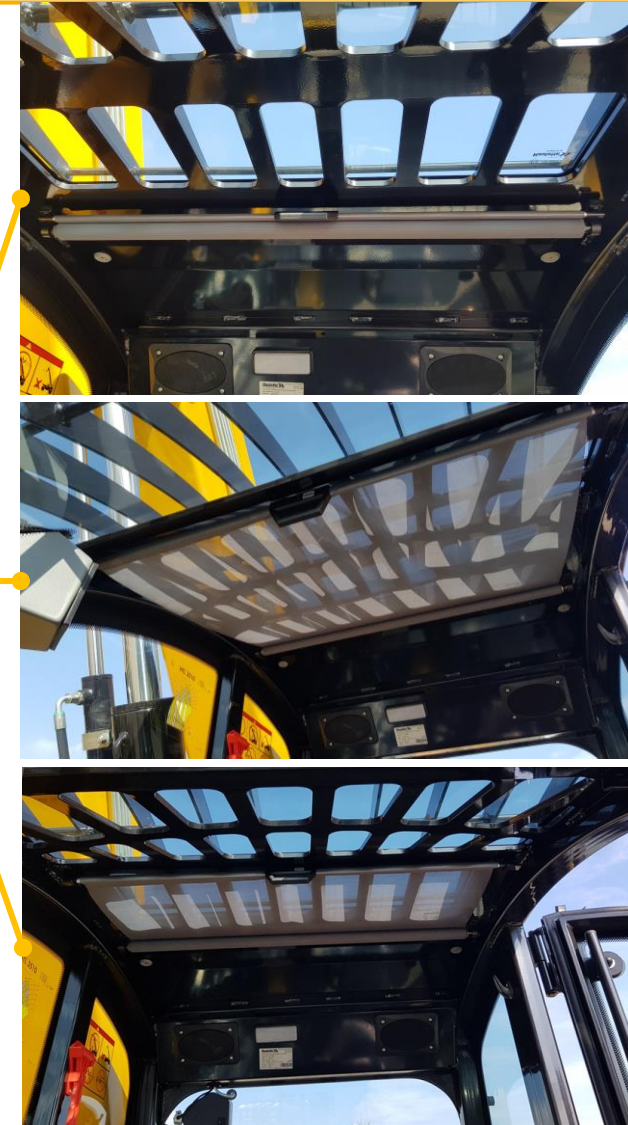


SPECIFICATIONS

- Sun protection,
- Better utilization,
- Reduce painful.

Available	
HTL 3207	✓
HTL 3210	✓
HTL 3510	✓
HTL 4010	✓
HTL 3614	✓
HTL 3617	✓
HTL 4014	✓
HTL 4017	✓
HTL 5210	✓

3 POSITIONS



CAB Cab filter



SPECIFICATIONS

- Improve the air quality into the cab
- Recycle the air

Available	
HTL 3207	✓
HTL 3210	✓
HTL 3510	✓
HTL 4010	✓
HTL 3614	✓
HTL 3617	✓
HTL 4014	✓
HTL 4017	✓
HTL 5210	✓



REF. 52032/50018



6

ENGINE

Reverse fan

Hydraulic oil

White gazole

Air filter with clogging sens PERKINS 70kW

Kit first oil change

Flowsharing

Refinery kit

ENGINE Reverse fan



SPECIFICATIONS

- Clean railings in dusty atmospheres,

CABIN BUTTON

- Button on Central position: automatic cycle
→ *14s every 10min*
- Button Upwards: forced cooling
- Button Downwards: 1 Reverse Fan cycle

Available	
HTL 3207	✓
HTL 3210	✓
HTL 3510	✓
HTL 4010	✓
HTL 3614	✓
HTL 3617	✓
HTL 4014	✓
HTL 4017	✓
HTL 5210	✓



REF. 52160/50160

ENGINE Hydraulic Oil



SPECIFICATIONS

HOT HYDRAULIC OIL

- Specific hydraulic oil in tank and circuit for countries with hot climates.
 - Index : 68

REF. 52023/50023

COLD HYDRAULIC OIL

- Specific hydraulic oil in tank and circuit for countries with cold climates.
 - Index : 32

REF. 52024/50024

GREEN HYDRAULIC OIL

- Specific BIODEGRADABLE hydraulic oil in tank and circuit.
 - Index : 46

REF. 52025/50025

Available	
HTL 3207	✓
HTL 3210	✓
HTL 3510	✓
HTL 4010	✓
HTL 3614	✓
HTL 3617	✓
HTL 4014	✓
HTL 4017	✓
HTL 5210	✓

ENGINE White Gazole



SPECIFICATIONS

- Local regulations may require a specific gazole:
 - Mandatory for Germany

Available	
HTL 3207	✓
HTL 3210	✓
HTL 3510	✓
HTL 4010	✓
HTL 3614	✓
HTL 3617	✓
HTL 4014	✓
HTL 4017	✓
HTL 5210	✓

REF. 52026/50026

ENGINE

Air filter with clogging sensor – TIER III Perkins 70KW



SPECIFICATIONS

- Only available for TIER III engine – PERKINS 70 kW

Available	
HTL 3207	✓
HTL 3210	X
HTL 3510	✓
HTL 4010	✓
HTL 3614	✓
HTL 3617	✓
HTL 4014	✓
HTL 4017	✓
HTL 5210	✓



Filter



Clogging indicator



Only available for TIER III engine

REF. 52033/50033

ENGINE Kit First Oil Change



SPECIFICATIONS

COMPOSITION OF THE KIT :

- Engine fuel filter,
- Fuel filter,
- Air filter,
- Hydraulic air filter.

Available	
HTL 3207	✓
HTL 3210	✓
HTL 3510	✓
HTL 4010	✓
HTL 3614	✓
HTL 3617	✓
HTL 4014	✓
HTL 4017	✓
HTL 5210	✓

PERKINS – TIER III

REF. 52037/50037

KOHLER – TIER IV / STAGE V

REF. 52040/50040

ENGINE Flowsharing



SPECIFICATIONS

- Allows full simultaneous movements of all operations of the machine.

The benefits for our customers are:

THE MOVEMENT OF THE BOOM IS INTUITIVE

- **Flow sharing** is a smart management system of hydraulic flows which enables **proportional controls**

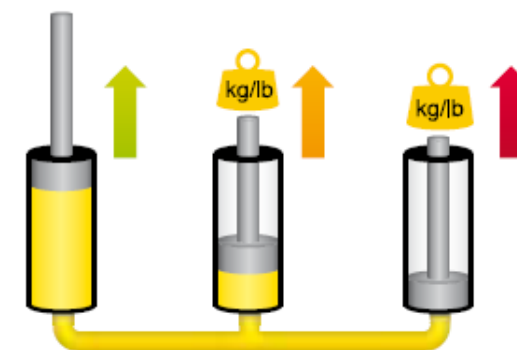
EASY HANDOVER

- The joystick become part of your arm, you don't have to think about the sequence (lift, extension, rotating, ...) to place your load at height or use a bucket

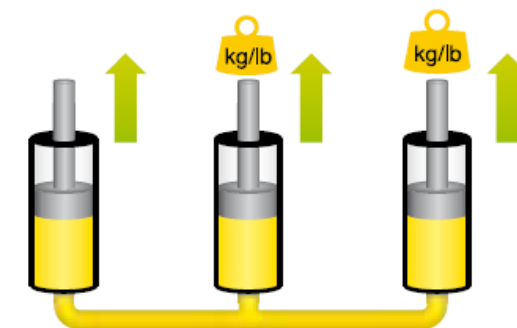
BETTER EFFICIENCY

- Even if the speed of one movement is lower than other machines, you'll never do only one movement. The total sequence will be achieved in less time because it allows **simultaneous movements** to be more precise and quicker

Available	
HTL 3207	✓
HTL 3210	✓
HTL 3510	✓
HTL 4010	✓
HTL 3614	Standard
HTL 3617	Standard
HTL 4014	Standard
HTL 4017	Standard
HTL 5210	Standard



WITHOUT FLOW SHARING:
sequential sharing of power



WITH FLOW SHARING:
proportional sharing of power



Standard for all STAGE V engine machine

REF. 52053

ENGINE Refinery kit



SPECIFICATIONS

FIRE DAMPER

- Block the air intake
- Stop the engine in saturated oil air

SPARKER ARRESTER

- Prevent spark's evacuation
- Avoid explosion in inflammable situation (work in industry like refinery, store area...)
- Emergency stop button to turn off the engine

Available	
HTL 3207	✓
HTL 3210	✓
HTL 3510	✓
HTL 4010	✓
HTL 3614	✓
HTL 3617	✓
HTL 4014	✓
HTL 4017	✓
HTL 5210	✓



Fire damper



Spark arrester

 Only available for Tier III engine

REFINERY KIT (Fire damper + Spark arrester)

REF. 52168/50168

SPARK ARRESTER

REF. 52169/50169



7

MISCELLANEOUS

Containerization (only for subsidiaries)

EQSS equipment safety systems

Tool kit

Rubber protection

Lockable fuel tank

Additional key

Hoses cover under boom

Reception outside agency

Additional manuals

MISCELLANEOUS Containerization (only for subsidiaries)



SPECIFICATIONS

- Refer to the information (e-technical) for the assembly.

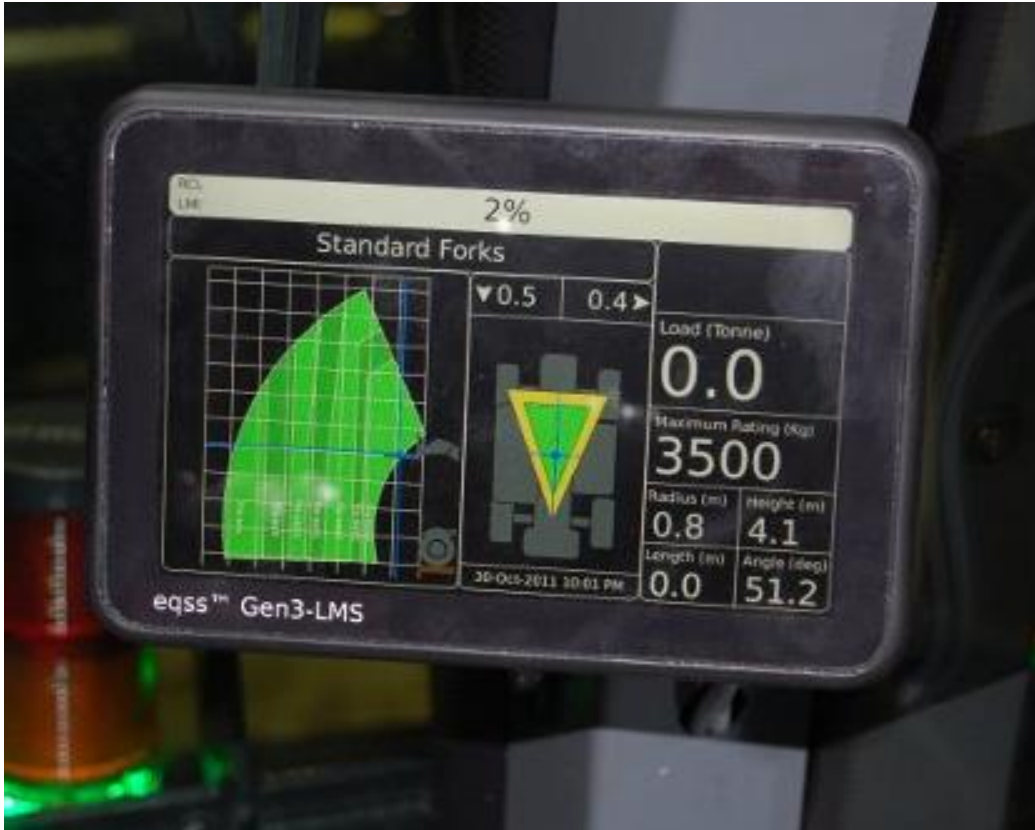
Available	
HTL 3207	<i>Standard</i>
HTL 3210	<i>Standard</i>
HTL 3510	<i>Standard</i>
HTL 4010	<i>Standard</i>
HTL 3614	X
HTL 3617	X
HTL 4014	✓
HTL 4017	✓
HTL 5210	✓



 Only available for Tier III engine

REF. 50166

MISCELLANEOUS EQSS equipment safety systems



Compatibility	
HTL 3207	✓
HTL 3210	✓
HTL 3510	✓
HTL 4010	✓
HTL 3614	✓
HTL 3617	✓
HTL 4014	✓
HTL 4017	✓
HTL 5210	✓

 Only for Australian market

 This offer concerns only the assembly of the EQSS

REF. 52172/50172

MISCELLANEOUS Tool Kit



SPECIFICATIONS

- For immediate repairs,
- The tool kit is placed in the storage box behind the seat.

LEFT TO RIGHT

- PHILLIPS-head screwdriver (n°2 – 6mm),
- Flat screwdriver (4mm),
- Wrenches/spanner (24-22, 19-17, 18-16 & 13-10),
- Hex key (8),
- Hex key (4).

Available	
HTL 3207	✓
HTL 3210	✓
HTL 3510	✓
HTL 4010	✓
HTL 3614	✓
HTL 3617	✓
HTL 4014	✓
HTL 4017	✓
HTL 5210	✓



REF. 52181/50181

MISCELLANEOUS Rubber Protection



SPECIFICATIONS

- Protect the front of the chassis when the machine is close from a structure.

DIMENSIONS

- 360 x 100 x 105cm

Available	
HTL 3207	X
HTL 3210	X
HTL 3510	X
HTL 4010	X
HTL 3614	✓
HTL 3617	✓
HTL 4014	✓
HTL 4017	✓
HTL 5210	✓



REF. 50143

MISCELLANEOUS Lockable Fuel Tank



SPECIFICATIONS

- Fuel tank with a key

Available	
HTL 3207	✓
HTL 3210	✓
HTL 3510	✓
HTL 4010	✓
HTL 3614	✓
HTL 3617	✓
HTL 4014	✓
HTL 4017	✓
HTL 5210	✓



REF. 52042/50042

MISCELLANEOUS Additional Keys



SPECIFICATIONS

- Start key x 2
- Hood key x 2
- Shunt Key x 2

Available	
HTL 3207	✓
HTL 3210	✓
HTL 3510	✓
HTL 4010	✓
HTL 3614	✓
HTL 3617	✓
HTL 4014	✓
HTL 4017	✓
HTL 5210	✓



REF. 52144/50144

MISCELLANEOUS Hoses Cover Under Boom



SPECIFICATIONS

- Complement for protection of hoses.

Available	
HTL 3207	✓
HTL 3210	✓
HTL 3510	✓
HTL 4010	✓
HTL 3614	✓
HTL 3617	✓
HTL 4014	✓
HTL 4017	✓
HTL 5210	✓



Without hoses cover



With hoses cover

REF. 52041/50132

MISCELLANEOUS Reception Outside Agency



Compatibility	
HTL 3207	✓
HTL 3210	✓
HTL 3510	✓
HTL 4010	✓
HTL 3614	✓
HTL 3617	✓
HTL 4014	✓
HTL 4017	✓
HTL 5210	✓

REF. 52046/50046

Attachments

HTL ATTACHMENTS – SUMMARY

- ✓ [ON-FORK HANDLING SOLUTIONS](#)
- ✓ [BUCKET RANGE](#)
- ✓ [GRAB RANGE](#)
- ✓ [PIKES RANGE](#)
- ✓ [JIB RANGE](#)
- ✓ [WINCH RANGE](#)
- ✓ [PLATFORM](#)
- ✓ [MISCELLANEOUS](#)



1

ON-FORK HANDLING SOLUTIONS

Forks carriage + standard forks

Forks special UK

MANITOU® forks carriage + Forks

FEM carriage with FEM forks 4.7T (with length of 1.5m)

Side sift / Fork spreader

Side shift forks

Fork spreader

Box tipper / Rotative forks

Forks extension 18000mm

Concrete bucket

ON-FORK HANDLING SOLUTIONS

Forks carriage + standard forks

SPECIFICATIONS

- The standard forks carriage is essential on most job sites, allowing the operator to pick up and place materials like pallets, concrete blocks, etc..
- The standard forks are supplied as a standard with all machines.

FORKS CARRIAGE DIMENSIONS

- 1258mm / 790mm

Available	
HTL 3207	✓
HTL 3210	✓
HTL 3510	✓
HTL 4010	✓
HTL 3614	✓
HTL 3617	✓
HTL 4014	✓
HTL 4017	✓
HTL 5210	✓



REF. 52102/50102	4 000 KG	125x50x1250 MM	290 KG
REF. 50102	5200 KG	125x60x1200 MM	320 KG

ON-FORK HANDLING SOLUTIONS

Forks special UK

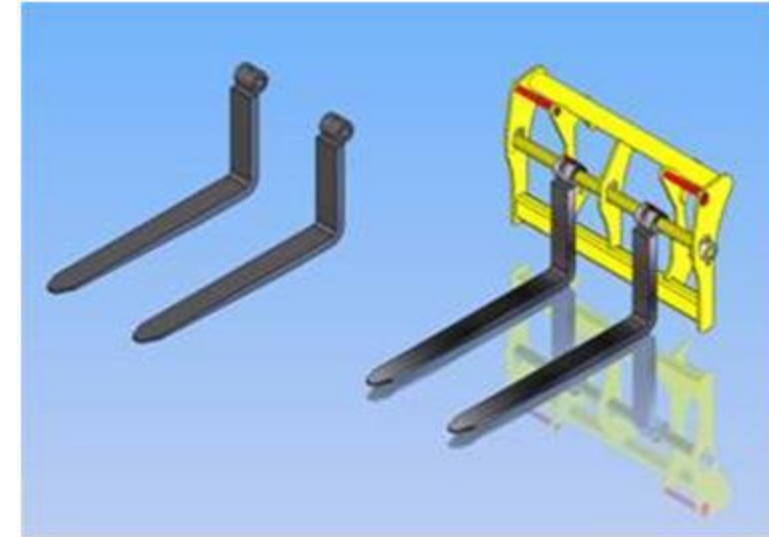
SPECIFICATIONS

- The UK forks are essential on most job sites, allowing the operator to pick up and place materials like pallets, concrete blocks, etc..
- The UK forks are supplied on demand.

FORKS CARRIAGE DIMENSIONS

- 1258mm / 790mm

Available	
HTL 3207	✓
HTL 3210	✓
HTL 3510	✓
HTL 4010	✓
HTL 3614	✓
HTL 3617	✓
HTL 4014	✓
HTL 4017	✓
HTL 5210	X



REF. 52101/50101

4 000KG

100x50x1250MM

260KG

ON-FORK HANDLING SOLUTIONS

MANITOU® forks carriage + Forks

SPECIFICATIONS

- This accessory is designed to be compatible with Manitou® tool carriage.
- This attachment can be use only with Manitou® tool carriage.

"MANITOU® is a trademark of MANITOU BF, the use of this mark is solely for the purpose of information on the compatibility of our products."

Available	
HTL 3207	✓
HTL 3210	✓
HTL 3510	✓
HTL 4010	✓
HTL 3614	✓
HTL 3617	✓
HTL 4014	✓
HTL 4017	✓
HTL 5210	✓



REF. 52104/50104	4 000 KG	125x50x1250MM	282 KG	MANITOU®
REF.50104 (HTL5210)	5 200 KG	125x60x1200MM	350 KG	MANITOU®

ON-FORK HANDLING SOLUTIONS

FEM carriage with FEM forks 4.7T

SPECIFICATIONS

- Suitable for all FEM industrial attachments,
- FEM3 standard.

CAPACITY

- 4.7 T

FORKS LENGTH

- 1.25 M

WIDTH

- 1600 mm

Available	
HTL 3207	✓
HTL 3210	✓
HTL 3510	✓
HTL 4010	✓
HTL 3614	✓
HTL 3617	✓
HTL 4014	✓
HTL 4017	✓
HTL 5210	✓



REF. 52171/50171

4 700 KG

125x50x1600 MM

KG

ON-FORK HANDLING SOLUTIONS

FEM carriage with FEM forks 4.7T forks length 1.5M

SPECIFICATIONS

- Suitable for all FEM industrial attachments,
- Standard of FEM3.
- CAPACITY : 4,7 T
- FORKS LENGTH : 1.5 M
- WEIGHT : 363 Kg
- WIDTH : 1600 mm

Available	
HTL 3207	X
HTL 3210	X
HTL 3510	X
HTL 4010	X
HTL 3614	X
HTL 3617	X
HTL 4014	X
HTL 4017	X
HTL 5210	✓



REF. 50190

4 700 KG

150x50x1600 MM

KG

ON-FORK HANDLING SOLUTIONS

Side shift / Fork spreader

SPECIFICATIONS


- This forks are equipped with a hydraulic lateral shift, 500mm shifting for each fork.
- Press the button to switch from side shift to fork spread modes
- Electrical roller supply preconfiguration mandatory (code 52178)

FORKS SPREAD OVER FORKS

- Max : 1300 mm
- Min : 370 mm

LOAD CAPACITY





- 3T

★  Hydraulic kit mandatory (52021/50021)
+ 12V electrical roller supply (52178/ 500178)

Available	
HTL 3207	✓
HTL 3210	✓
HTL 3510	✓
HTL 4010	✓
HTL 3614	X
HTL 3617	X
HTL 4014	X
HTL 4017	X
HTL 5210	X



★

			
REF. 52179	3 000 KG	100x50x1200 MM	360 KG

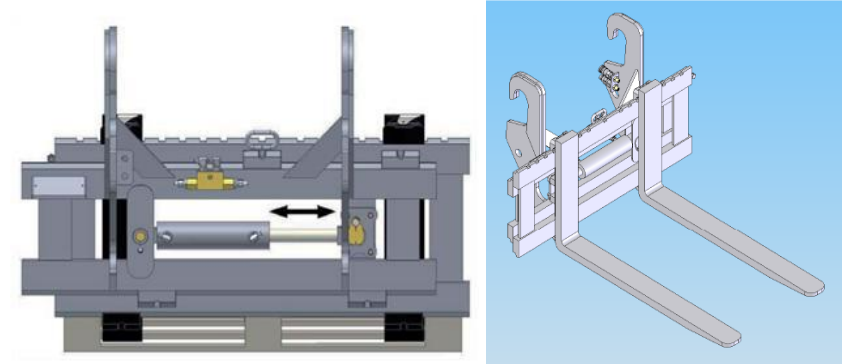
ON-FORK HANDLING SOLUTIONS

Side shift forks

SPECIFICATIONS

- The Side-shift fork carriage - FEM3A - moves the load right or left for a precise placement. It is designed to operate under dynamic and static loads.
- The Side shift carriage allows up to 200 mm lateral displacement with a **3T maximum load capacity**.

Available	
HTL 3207	✓
HTL 3210	✓
HTL 3510	✓
HTL 4010	✓
HTL 3614	✓
HTL 3617	✓
HTL 4014	✓
HTL 4017	✓
HTL 5210	✓



★



★

Hydraulic kit mandatory (52021/50021)

REF. 52134/50134	SIDE SHIFT / STD FORKS	3 000 KG	125x50x1250 MM	390 KG
REF. 52133/50133	SIDE SHIFT / UK FORKS	3 000 KG	100x50x1250 MM	360 KG
REF. 52136/50136	MT TYPE SIDE SHIFT / STD FORKS	3 000 KG	125x50x1250 MM	390 KG
REF. 52135/50135	MT TYPE SIDE SHIFT / UK FORKS	3 000 KG	100x50x1250 MM	360 KG

"MANITOU® is a trademark of MANITOU BF, the use of this mark is solely for the purpose of information on the compatibility of our products."

ON-FORK HANDLING SOLUTIONS

Fork spreader

SPECIFICATIONS

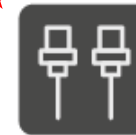
- Enables to move the forks without load on,
- 1 hydraulic cylinder double effect/fork,
- 500mm shifting for each fork,
- Forks come closer or move away in the similar time and at the same speed,
- Ecartements des fourches :
 - Mini : 300 mm
 - Max. : 1300mm
- The Fork Spreader has a **2.3T maximum load capacity.**
- The Fork Spreader has a **4T maximum load capacity.**

★  Hydraulic kit mandatory (52021/50021)

	Available	
	2.3 T	4 T
HTL 3207	✓	X
HTL 3210	✓	X
HTL 3510	✓	✓
HTL 4010	✓	✓
HTL 3614	✓	X
HTL 3617	✓	X
HTL 4014	✓	✓
HTL 4017	✓	✓
HTL 5210	✓	✓



★



REF. 52153/50153	2 300 KG	100x50x1200 MM	360 KG
REF. 52180/50179	4 000 KG	100x50x1500 MM	437 KG

ON-FORK HANDLING SOLUTIONS

Fork spreader Volvo®

SPECIFICATIONS

- Enable to move the forks without load on **537,5 mm** shifting for each fork
- Forks come closer or move away in the similar time and at the same speed
- The fork spreader has a **2.5T / 5500lb maximum load capacity**
- Only compatible with Volvo® type Tool Carriage (50192)

Available	
HTL 3207	X
HTL 3210	X
HTL 3510	X
HTL 4010	X
HTL 3614	X
HTL 3617	X
HTL 4014	✓
HTL 4017	✓
HTL 5210	✓



★  Hydraulic kit mandatory (52021/50021)

★



REF. 50193



2 500 KG



100x40x1200 MM



225 KG

"VOLVO® is a trademark of ABL, the use of this mark is solely for the purpose of information on the compatibility of our products."

ON-FORK HANDLING SOLUTIONS

Box tipper / Rotative forks

SPECIFICATIONS

- 2 pallet forks
- Carrier for any kind of brackets

DEGREE OF CORRECTION

- 360°

CAPACITY

- **3 200 Kg**

Available	
HTL 3207	✓
HTL 3210	✓
HTL 3510	✓
HTL 4010	✓
HTL 3614	✓
HTL 3617	✓
HTL 4014	✓
HTL 4017	✓
HTL 5210	✓



★  Hydraulic kit mandatory (52021/50021)



REF. 52145/50145



3 200 KG



100x45x1200 MM



609 KG

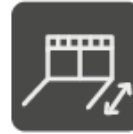
ON-FORK HANDLING SOLUTIONS

Forks extension 1850mm

SPECIFICATIONS

- 125 x 50 x 1200 (standard forks)
- Quick and Easy attachment
- Have to be compliant with standard ISO13284:
Max extension forks length = Length forks / 0,6

Available	
HTL 3207	X
HTL 3210	X
HTL 3510	✓
HTL 4010	✓
HTL 3614	X
HTL 3617	X
HTL 4014	✓
HTL 4017	✓
HTL 5210	✓



REF. 52036/50036

2 680 KG to 900 MM

1 850 MM

46 KG x 2

ON-FORK HANDLING SOLUTIONS

Concrete bucket

SPECIFICATIONS

- 600 L concrete bucket – rectangular shape with spreader for lifting & sheath for telehandlers on-fork handling solution.
- Manually openable.
- On forks.

Available	
HTL 3207	✓
HTL 3210	✓
HTL 3510	✓
HTL 4010	✓
HTL 3614	✓
HTL 3617	✓
HTL 4014	✓
HTL 4017	✓
HTL 5210	✓



REF. 52156/50156

600 L



2

BUCKET RANGE

Toothless bucket

Toothed bucket

4 in 1 bucket

BUCKET RANGE

Toothless bucket

SPECIFICATIONS

- Recommended for picking up loose products such as sand, gravel or soil. Can also be used for clean up around the work site.
- It is under no circumstances designed for excavation work.
- It may be used for lifting construction materials and handling.
- Exists with Bolt-on counter-wear plate.

Available	
HTL 3207	✓
HTL 3210	✓
HTL 3510	✓
HTL 4010	✓
HTL 3614	✓
HTL 3617	✓
HTL 4014	✓
HTL 4017	✓
HTL 5210	✓



REF. 52109/50109	BUCKET Toothless	1140 L	2 450 MM	460 KG
REF. 52110/50110	BUCKET Toothless with REMOVABLE BLADE	1140 L	2 450 MM	460 KG
REF. 52128/50128	BUCKET Toothless MT Type	1140 L	2 450 MM	460 KG

"MANITOU® is a trademark of MANITOU BF, the use of this mark is solely for the purpose of information on the compatibility of our products."

BUCKET RANGE

Toothless bucket

SPECIFICATIONS

- Recommended for picking up loose products such as sand, gravel or soil. Can also be used for clean up around the work site.
- It is under no circumstances designed for excavation work.
- It may be used for lifting construction materials and handling.

Available	
HTL 3207	✓
HTL 3210	✓
HTL 3510	✓
HTL 4010	✓
HTL 3614	✓
HTL 3617	✓
HTL 4014	✓
HTL 4017	✓
HTL 5210	✓



REF. 52154/50154	BUCKET Toothless	1 145 L	1 500 MM	365 KG
REF. 52152/50152	BUCKET Toothless MT Type	1 145 L	1 500 MM	365 KG

"MANITOU® is a trademark of MANITOU BF, the use of this mark is solely for the purpose of information on the compatibility of our products."

BUCKET RANGE

Toothless bucket

SPECIFICATIONS

- Bucket especially designed to fit with HTL3207 / HTL3210 / HTL3510 / HTL4010.
- Recommended for picking up loose products such as sand, gravel or soil. Can also be used for clean up around the work site.
- It is under no circumstances designed for excavation work.
- It may be used for lifting construction materials and handling.

Available	
HTL 3207	✓
HTL 3210	✓
HTL 3510	✓
HTL 4010	✓
HTL 3614	X
HTL 3617	X
HTL 4014	X
HTL 4017	X
HTL 5210	X



REF. 52112

BUCKET Toothless

850 L

2 250 MM

435 KG

BUCKET RANGE

Toothed bucket

SPECIFICATIONS

- Recommended for picking up loose loads such as sand or gravel and for excavation operations. Teeth dedicated to earth moving.
- It can be used on all types of low abrasion ground and is perfectly suited to construction and excavation work.

Available	
HTL 3207	✓
HTL 3210	✓
HTL 3510	✓
HTL 4010	✓
HTL 3614	✓
HTL 3617	✓
HTL 4014	✓
HTL 4017	✓
HTL 5210	✓



REF. 52111/50111

BUCKET Toothleed

900 L

2 450 MM

8

587 KG

BUCKET RANGE

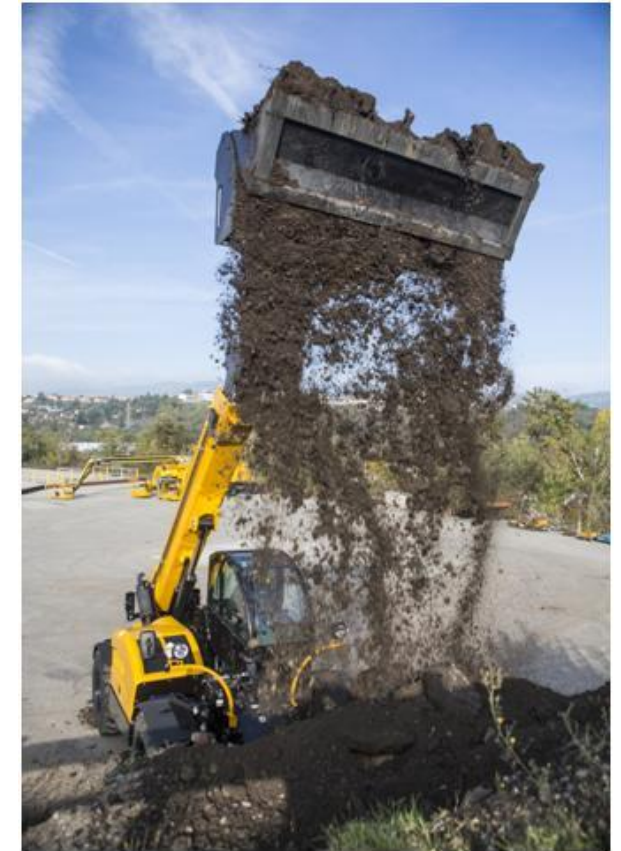
4 in 1 bucket

SPECIFICATIONS

- Recommended for picking up loose loads such as sand or gravel and for excavation operations. Teeth dedicated to earth moving.
- It can be used on all types of low abrasion ground and is perfectly suited to construction and excavation work.

Available

HTL 3207	✓
HTL 3210	✓
HTL 3510	✓
HTL 4010	✓
HTL 3614	✓
HTL 3617	✓
HTL 4014	✓
HTL 4017	✓
HTL 5210	✓



★  Hydraulic kit mandatory (52021/50021)



REF. 520113/50113

4 in 1 BUCKET

850 L

2 450 MM

8

636 KG

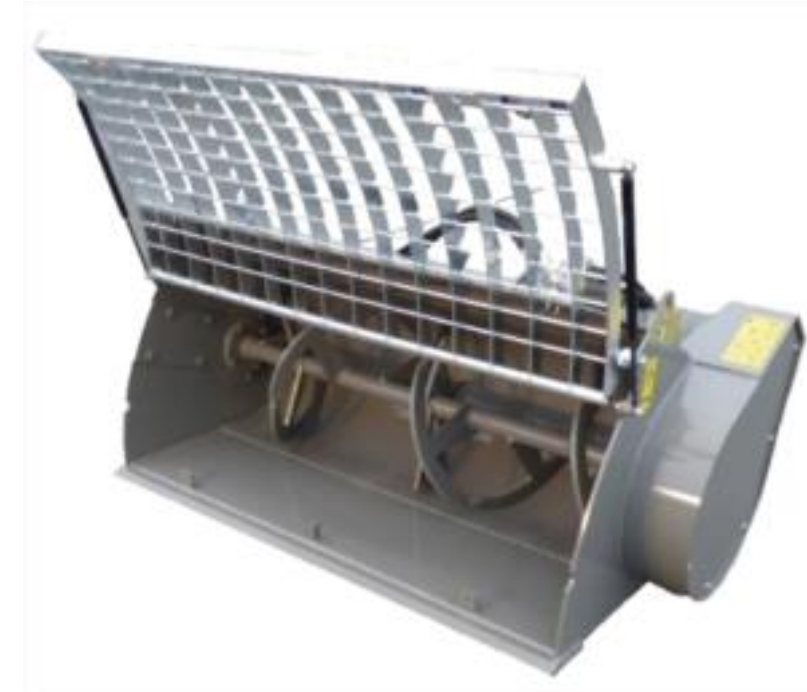
BUCKET RANGE


Concrete mixing bucket

SPECIFICATIONS

- 1,5m flexible tube for better unloading control
- Bag opener incorporated into the cover
- Left side distribution controlled hydraulically for maximum safety

Available	
HTL 3207	✓
HTL 3210	X
HTL 3510	✓
HTL 4010	✓
HTL 3614	X
HTL 3617	X
HTL 4014	✓
HTL 4017	✓
HTL 5210	X



★  Hydraulic kit mandatory (52021/50021)
+ 12V electrical roller supply (52178/ 500178)

REF. 52206/50206

Concrete mixing bucket

330 L

1350 MM

575 KG (Empty)



3

GRAB RANGE

Grab bucket recycling

Grab bucket forged teeth

Grab pipe

Log clamp

GRAB RANGE

Grab bucket recycling

SPECIFICATIONS

- Compact & multifunction – suitable for recycling industry.
- Open measurement: 1.50 m, can get the grapple open against a wall.
- Removable sides for better flexibility.
- Handling material with a density ≤ 1000 kg/m³.

Available	
HTL 3207	✓
HTL 3210	X
HTL 3510	✓
HTL 4010	✓
HTL 3614	X
HTL 3617	X
HTL 4014	X
HTL 4017	X
HTL 5210	X



★  Hydraulic kit mandatory (52021/50021)

★



REF. 52174



1 500 L



2 300 MM



10



909 KG

GRAB RANGE

Grab bucket Forged teeth

SPECIFICATIONS

- Compact & multifunction – suitable for agricultural.
- Open measurement: 1.50 m, can get the grapple open against a wall.
- Removable sides for better flexibility.
- Handling material with a density $\leq 1000 \text{ kg/m}^3$.

Available	
HTL 3207	✓
HTL 3210	X
HTL 3510	✓
HTL 4010	✓
HTL 3614	X
HTL 3617	X
HTL 4014	X
HTL 4017	X
HTL 5210	X



▪ Forged teeth

★  Hydraulic kit mandatory (52021/50021)



REF. 52129	GRAB BUCKET Forged Teeth	1 350 L	2 300 MM	10	685 KG
------------	--------------------------	---------	----------	----	--------

GRAB RANGE

Grab pipe

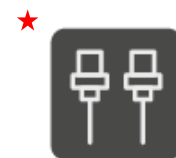
SPECIFICATIONS

- Mining, oil & gas and construction solution,
- Increases working safety & output on all pipe handling applications.

Available	
HTL 3207	X
HTL 3210	X
HTL 3510	X
HTL 4010	X
HTL 3614	X
HTL 3617	X
HTL 4014	✓
HTL 4017	X
HTL 5210	X



★  Hydraulic kit mandatory (52021/50021)



REF. 50146

GRAB Pipe

4 700 KG at 500 MM

125 x 45 1 200 MM

1 500 MM

900 KG

GRAB RANGE

Log clamp

SPECIFICATIONS

- Increased capacity for a massive work output in forestry handling application.

LOAD CAPACITY

- 3T maximum**

Available	
HTL 3207	X
HTL 3210	X
HTL 3510	X
HTL 4010	X
HTL 3614	X
HTL 3617	X
HTL 4014	✓
HTL 4017	X
HTL 5210	X



★  Hydraulic kit mandatory (52021/50021)

★



REF. 52157/50157



Log BUCKET



3 000 KG



1 500 MM

900 KG



4

PIKES RANGE

Bale forks 6 pikes

Bale forks 2 pikes

PIKES RANGE

Bale forks 6 pikes

SPECIFICATIONS

- For recycling and logistic environment.
- Simple and easy solution for bale handling,
- Simultaneous handling of 3 bales,
- Foldable tines,

CAPACITY

- 2,4 T

Available	
HTL 3207	X
HTL 3210	X
HTL 3510	✓
HTL 4010	X
HTL 3614	X
HTL 3617	X
HTL 4014	✓
HTL 4017	✓
HTL 5210	✓



REF. 52161/50161

Bale forks 6 pikes

2 400 KG

2 000 MM

361 KG

PIKES RANGE

Bale forks 2 pikes

SPECIFICATIONS

- For recycling and logistic environment,
- Foldable tines,
- Simple and easy solution for bale handling.

CAPACITY

- **800 kg**

Available	
HTL 3207	✓
HTL 3210	✓
HTL 3510	✓
HTL 4010	✓
HTL 3614	✓
HTL 3617	✓
HTL 4014	✓
HTL 4017	✓
HTL 5210	✓



REF. 52162/50162

Bale forks 2 pikes

800 KG

1 260 MM

169 KG



5

JIB RANGE

Frame mounted hook

3T/1M jib with hook (including MT Type)

2T/2M jib with hook (including MT Type)

3T/2M jib with hook

1.2T/2.5M jib with hook

0.6T/4M jib with hook

Hook 5.2T

JIB RANGE

Frame mounted hook

SPECIFICATIONS

- Very compact fixed hook maintaining the machine's stability & capacity till 4T.
- **Safety:** homologated self locking swivel hook.
- Basic attachment for safe suspended load handling.

CAPACITY

- 4T

Available	
HTL 3207	✓
HTL 3210	✓
HTL 3510	✓
HTL 4010	✓
HTL 3614	✓
HTL 3617	✓
HTL 4014	✓
HTL 4017	✓
HTL 5210	✓



REF. 52115/50115

4 000 KG

165 MM

72 KG

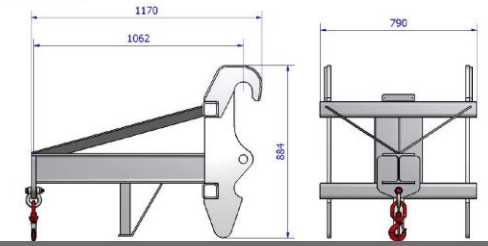
JIB RANGE

3T/1M jib with hook

SPECIFICATIONS

- Perfect for transporting and placing beams & frames.
- The jib improves the forward reach of the HTL.

Available	
HTL 3207	✓
HTL 3210	✓
HTL 3510	✓
HTL 4010	✓
HTL 3614	✓
HTL 3617	✓
HTL 4014	✓
HTL 4017	✓
HTL 5210	✓



3 t (6615 lb) 1 m(3 ft3 in) jib crane

Marking	Metric	Imperial
A	1,176 m	(3 ft10 in)
B	1 m	(3 ft3 in)
C	0,881 m	(2 ft11 in)
D	0,790 m	(2 ft7 in)
Weight	141 kg	(311 lb)
Maximum static load	3000 kg	(6615 lb)



REF. 52116/50116

3 000 KG

1 000 MM

141 KG

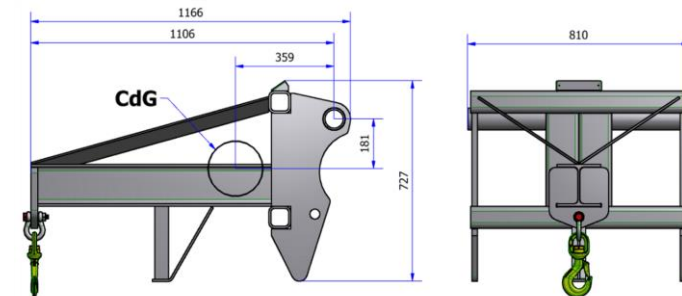
JIB RANGE

3T/1M jib with hook MT Type

SPECIFICATIONS

- Perfect for transporting and placing beams & frames.
- The jib improves the forward reach of the HTL.

Available	
HTL 3207	✓
HTL 3210	✓
HTL 3510	✓
HTL 4010	✓
HTL 3614	✓
HTL 3617	✓
HTL 4014	✓
HTL 4017	✓
HTL 5210	✓



REF. 52194/50194

3 000 KG

1 000 MM

127 KG

"MANITOU® is a trademark of MANITOU BF, the use of this mark is solely for the purpose of information on the compatibility of our products."

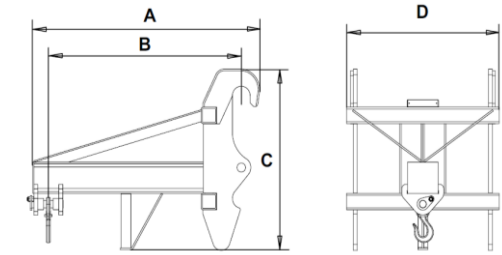
JIB RANGE

2T/2M JIB with hook

SPECIFICATIONS

- Perfect for transporting and placing beams & frames.
- The jib improves the forward reach of the HTL.

Available	
HTL 3207	✓
HTL 3210	✓
HTL 3510	✓
HTL 4010	✓
HTL 3614	✓
HTL 3617	✓
HTL 4014	✓
HTL 4017	✓
HTL 5210	X



2 t (4410 lb) 2 m(6 ft7 in) jib crane		
Marking	Metric	Imperial
A	2,292 m	(7 ft6 in)
B	2,185 m	(7 ft2 in)
C	0,894 m	(2 ft11 in)
D	0,790 m	(2 ft7 in)
Weight	205 kg	(452 lb)
Maximum load, machine halted	2000 kg	(4410 lb)



REF. 52117/50117

2 000 KG

2 000 MM

205 KG

JIB RANGE

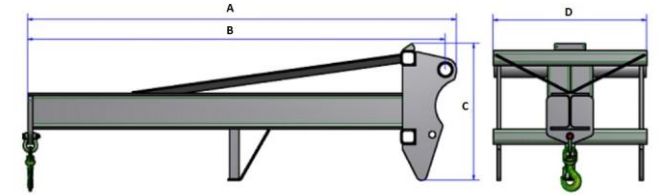
2T/2M JIB with hook MT type

SPECIFICATIONS

- Perfect for transporting and placing beams & frames.
- The jib improves the forward reach of the HTL.



Available	
HTL 3207	✓
HTL 3210	✓
HTL 3510	✓
HTL 4010	✓
HTL 3614	✓
HTL 3617	✓
HTL 4014	✓
HTL 4017	✓
HTL 5210	X



2 t (4410 lb) 2m (6 ft7 in) jib crane		
Marking	Metric	Imperial
A	2,288 m	(7 ft6 in)
B	2,228 m	(7 ft3,7 in)
C	0,727 m	(2 ft4.6 in)
D	0,820 m	(2 ft8 in)
Weight	205 kg	(452 lb)
Maximum load, machine halted	2000 kg	(4410 lb)



REF. 52184/50184

2 000 KG

2 000 MM

205 KG

"MANITOU® is a trademark of MANITOU BF, the use of this mark is solely for the purpose of information on the compatibility of our products."

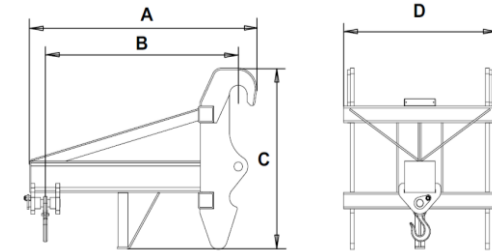
JIB RANGE

3T/2M JIB with hook

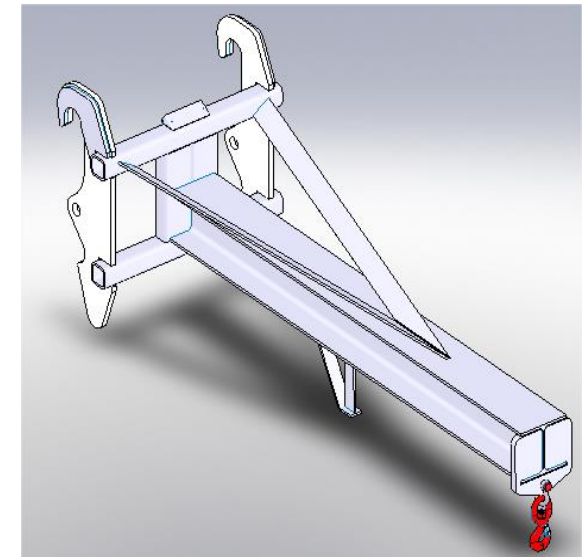
SPECIFICATIONS

- Perfect for transporting and placing beams & frames.
- The jib improves the forward reach of the HTL.

Available	
HTL 3207	X
HTL 3210	X
HTL 3510	X
HTL 4010	X
HTL 3614	X
HTL 3617	X
HTL 4014	X
HTL 4017	X
HTL 5210	✓



2 t (4410 lb) 2 m(6 ft7 in) jib crane		
Marking	Metric	Imperial
A	2,292 m	(7 ft6 in)
B	2,185 m	(7 ft2 in)
C	0,894 m	(2 ft11 in)
D	0,790 m	(2 ft7 in)
Weight	205 kg	(452 lb)
Maximum load, machine halted	2000 kg	(4410 lb)



REF. 50180

3 000 KG

2 000 MM

205 KG

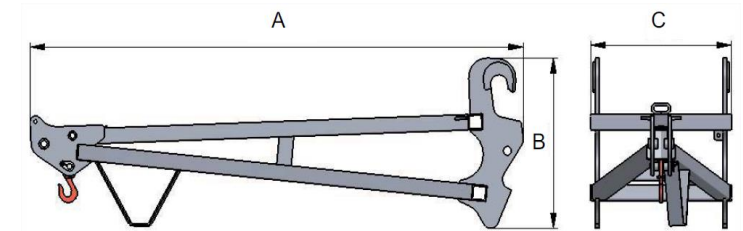
JIB RANGE

1.2T/2.5M JIB with hook

SPECIFICATIONS

- Perfect for transporting and placing beams & frames.
- The jib improves the forward reach of the HTL.

Available	
HTL 3207	✓
HTL 3210	✓
HTL 3510	✓
HTL 4010	✓
HTL 3614	✓
HTL 3617	✓
HTL 4014	✓
HTL 4017	✓
HTL 5210	X



Fly jib 2,5 m(8 ft2 in), 1,2 t (2646 lb) on telescopic arm		
Marking	Metric	Imperial
A	2,705 m	(8 ft11 in)
B	0,880 m	(2 ft11 in)
C	0,770 m	(2 ft6 in)
Weight	206 kg	(454 lb)
Maximum load, machine halted	1200 kg	(2646 lb)



REF. 52118/50118

1 200 KG

2 500 MM

206 KG

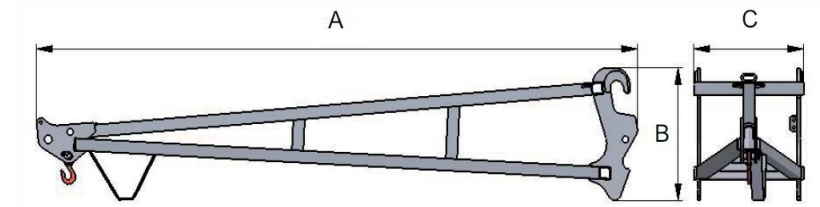
JIB RANGE

0.6T/4M JIB with hook

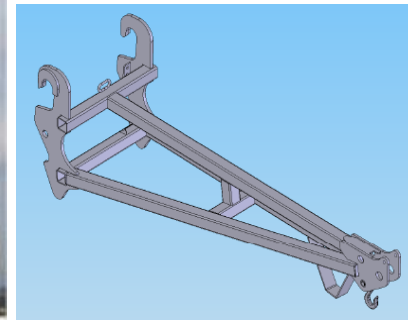
SPECIFICATIONS

- Perfect for transporting and placing beams & frames.
- The jib improves the forward reach of the HTL.

Available	
HTL 3207	✓
HTL 3210	✓
HTL 3510	✓
HTL 4010	✓
HTL 3614	✓
HTL 3617	✓
HTL 4014	✓
HTL 4017	✓
HTL 5210	X



Fly jib 4 m(13 ft1 in), 0,6 t (1323 lb) on telescopic arm		
Marking	Metric	Imperial
A	4,215 m	(13 ft10 in)
B	0,880 m	(2 ft11 in)
C	0,770 m	(2 ft6 in)
Weight	276 kg	(609 lb)
Maximum load, machine halted	600 kg	(1323 lb)



REF. 52119/50119

600 KG

4 000 MM

285 KG

JIB RANGE

Hook 5.2 T

SPECIFICATIONS

- Basic hook for safe suspended heavy load handling,
- Attached to standard forks,
- Heavy Duty Hook allows a variety of extra handling operations to be carried out.

CAPACITY

- **5.2 T**

Available	
HTL 3207	X
HTL 3210	X
HTL 3510	X
HTL 4010	X
HTL 3614	X
HTL 3617	X
HTL 4014	X
HTL 4017	X
HTL 5210	✓



REF. 50164

5 200 KG

270 MM

60 KG



6

WINCH RANGE

Frame mounted with winch

Jib with winch

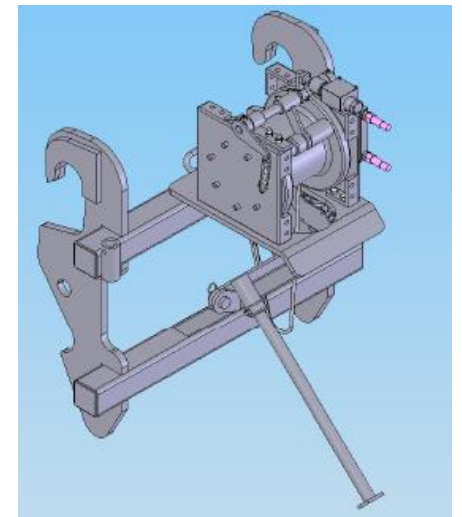
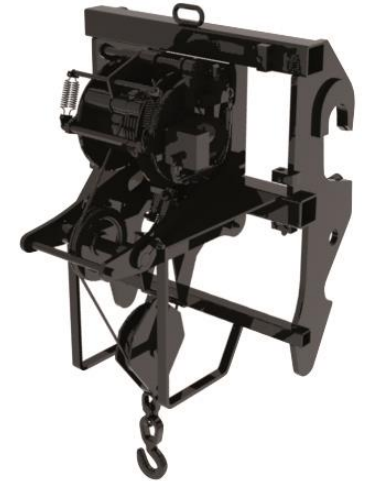
WINCH RANGE

Frame mounted with winch

SPECIFICATIONS

- Double line pull winch,
- Standard cable,
- Self locking swivel hook.

Available	
HTL 3207	✓
HTL 3210	✓
HTL 3510	✓
HTL 4010	✓
HTL 3614	✓
HTL 3617	✓
HTL 4014	✓
HTL 4017	✓
HTL 5210	✓



★

⚠ Hydraulic kit mandatory (52021/50021)
Command Kit Winch mandatory (52022/50022)

★



REF. 52120/50120	1 200 KG	340 MM	42 M	190 KG
REF. 52121/50121	2 400 KG	340 MM	42 M	190 KG

WINCH RANGE JIB with winch

SPECIFICATIONS

- Perfect for transporting and placing beams & frames,
- The jib improves the forward reach of the HTL,
- Turns your HTL into a crane.

Available	
HTL 3207	✓
HTL 3210	✓
HTL 3510	✓
HTL 4010	✓
HTL 3614	✓
HTL 3617	✓
HTL 4014	✓
HTL 4017	✓
HTL 5210	X



⚠ Hydraulic kit mandatory (52021/50021)
Command Kit Winch mandatory (52022/50022)



REF. 52124/50124	1 200 KG	2 500 MM	17.5 M	310 KG
REF. 52125/50125	600 KG	4 000 MM	16 M	375 KG



7

PLATFORM





Extending & Slewing platform (CE)

PLATFORM

Extending & Slewing Platform

SPECIFICATIONS

- Extendable from 2,4m to 4m -> Mechanic extension
- Capacity : 500 kg (including 3 people)
- Slewing platform +/- 90°
- Command with upper control panel into the platform (can be moved)
- Drive Control - Ease of drive operation – joystick with integrated thumb steer
- Pedal dead man
- Non-slip metal floor
- Platform preconfiguration **mandatory** (50170)
- **To be used with stabilizers only**
- **Compliant with homologation :**
 - CE / EN280: 2015
 - EAC GOST R53037
 - TRUA

REF. 50186	 500 KG	 3 people	 800 KG	 2.4 x 1.2 x 1.15
------------	--	---	--	--

Available	
HTL 3207	X
HTL 3210	X
HTL 3510	X
HTL 4010	X
HTL 3614	X
HTL 3617	X
HTL 4014	✓
HTL 4017	✓
HTL 5210	X



 Only available for Tier IV Final and Stage V engine



8

MISCELLANEOUS

Attachment locking single axle

High extension forks carriage

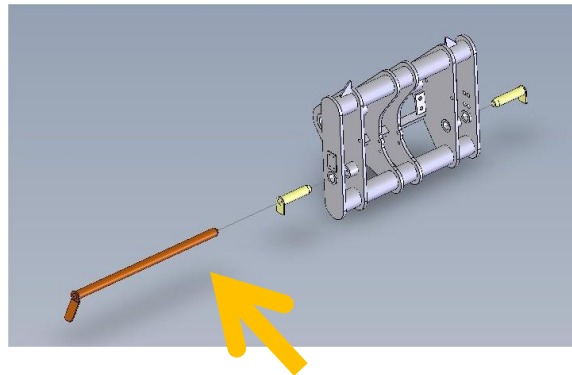
Symbol table

MISCELLANEOUS

Attachment locking single axe

HAULOTTE tool carriage

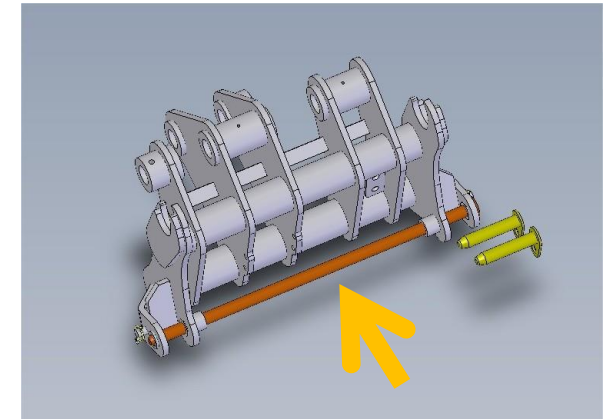
Available	
HTL 3207	✓
HTL 3210	✓
HTL 3510	✓
HTL 4010	✓
HTL 3614	✓
HTL 3617	✓
HTL 4014	✓
HTL 4017	✓
HTL 5210	✓



REF. 52106/50106

MANITOU tool carriage

Available	
HTL 3207	✓
HTL 3210	✓
HTL 3510	✓
HTL 4010	✓
HTL 3614	✓
HTL 3617	✓
HTL 4014	✓
HTL 4017	✓
HTL 5210	✓



REF. 52107/50107

"MANITOU® is a trademark of MANITOU BF, the use of this mark is solely for the purpose of information on the compatibility of our products."

MISCELLANEOUS

High extension forks carriage

SPECIFICATIONS

- Extension : 50 cm



Available	
HTL 3207	✓
HTL 3210	✓
HTL 3510	✓
HTL 4010	✓
HTL 3614	✓
HTL 3617	✓
HTL 4014	✓
HTL 4017	✓
HTL 5210	✓















REF. 52103/50103

1 150 MM

20 KG

SYMBOL TABLE

	Head of the boom
	Tires
	Visibility
	Cabin
	Engine
	Forks Dimension
	Width
	Capacity
	No predisposition required
	Hydraulic kit required
	Length, Width and Height
	Empty weight

	Tool carriage
	Width
	Height
	Forward reach
	Hook capacity
	Grab capacity
	Clamp capacity
	Number of teeth
	Cable length
	Load capacity
	Capacity with people
	Number of people